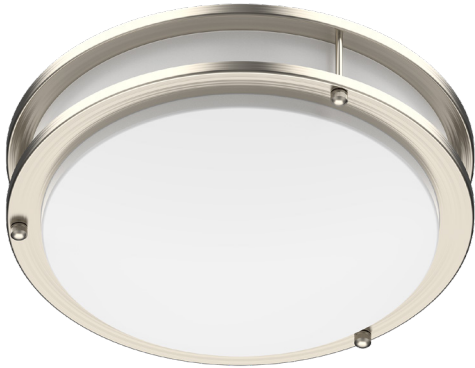


FDL-16-MCT5

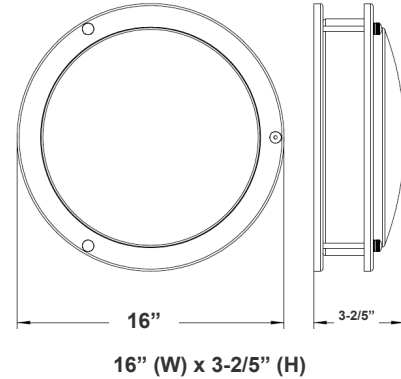


The LED Flush Mount Surface Fixture is a low profile downlight intended for ceiling or wall mount applications. Driver on Board (DOB) technology, with no driver or transformer needed. These flush mount ceiling lights mount directly to a 4" & 3" deep dish junction boxes ideal for Residential and commercial applications

Customer Name: \_\_\_\_\_

Project Name: \_\_\_\_\_

Note: \_\_\_\_\_ Type: \_\_\_\_\_



## Features

- Construction: Spun Aluminum + Steel (Brushed Nickel Finish)
- Optics: White Translucent Acrylic Lens
- 5-Year Warranty
- 50,000 Hours Rated Life
- MCT: Multi Color Temperature (Selectable with Switch Inside Fixture)

## Technical Specifications

### Electrical:

- Voltage: 120V AC
- Wattage: 24W
- Power Factor: >0.9
- Efficacy: 75 LPW

### Mechanical:

- Optics: White Translucent Acrylic Lens
- Construction: Spun aluminum Steel (Brushed Nickel Finish)
- Operating Temp: -4°F to +104°F
- IP Rating: IP20 Indoor use only

### Lighting:

- Dimmable Down to 10% Using a Standard TRIAC LED Dimmer
- Total Lumens: 1800LM
- Color Temperatures: 2700K/3000K/3500K/4000K/5000K
- Multi-CCT (selectable with switch is on the LED Board Under the Lens)
- Color Rendering Index: CRI ≥ 80
- IP Rating: IP20

### Applications:

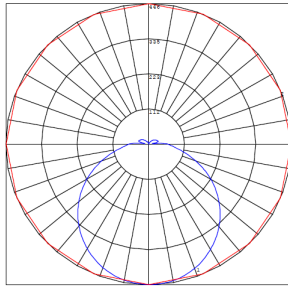
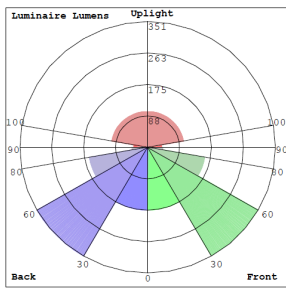
- The LED Flush Mount Surface Fixture is a low profile downlight intended for ceiling or wall mount applications. Driver on Board (DOB) technology, with no driver or transformer needed. These flush mount ceiling lights mount directly to a 4" & 3" deep dish junction boxes ideal for Residential and commercial applications

### Other Models:

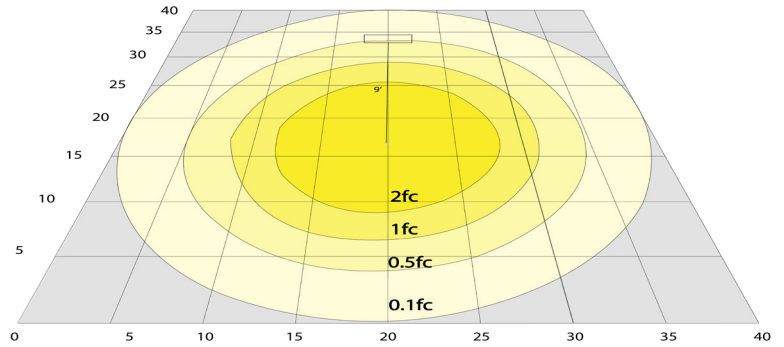
- 12W | 900LM | FDL-10-MCT5
- 16W | 1200LM | FDL-12-MCT5
- 20W | 1500LM | FDL-14-MCT5



## Photometrics: FDL-16-MCT5



BUG Rating: B1-U3-G1



Area 40'x 40' Mounting Height: 9'

## Other Views:



Side View



Front View



Back View

## Performance Table: FDL-16-MCT5

| MODEL NO.   | Wattage | Voltage | Lumens | Color Temp.                               | BUG Rating | LPW |
|-------------|---------|---------|--------|---|------------|-----|
| FDL-16-MCT5 | 24W     | 120V AC | 1800LM | 2700K<br>3000K<br>3500K<br>4000K<br>5000K | B1-U3-G1   | 75  |

## Sample Ordering

Model Size Color Temp.

FDL - 16 - MCT5

## Factory-Installed Options:

Blank = No Option For Accessories  
 OPT-SEN-2US= ULTRASONIC BI-LEVEL DIMMING (REMOTE NOT NEEDED)  
 WEC-3RC= OPTIONAL REMOTE CONTROL  
 OPT-PC-FM= BOTTOM PHOTOCCELL WITH AUXILIARY (EXTENDED) BASE

## FACTORY-INSTALLED OPTIONS:



WEC-3RC



OPT-SEN-2US

## Example:

- FDL-16-MCT5
- FDL-16-MCT5  
OPT-SEN-2US

(FOR FDL 24W MCT5 FIXTURE 120V)

(FOR FDL 24W MCT5 FIXTURE 120V)  
 (ULTRASONIC BI-LEVEL DIMMING (REMOTE NOT NEEDED))

